



● Features:

- Universal AC Input Supply Range
- Low leakage current <1mA.
- Protections: Short Circuit / Over load / Over voltage / Over Temperature
- 100% Full Load Burn in test.
- High efficiency, long life and high reliability
- Miniature size, High power density

SPECIFICATION

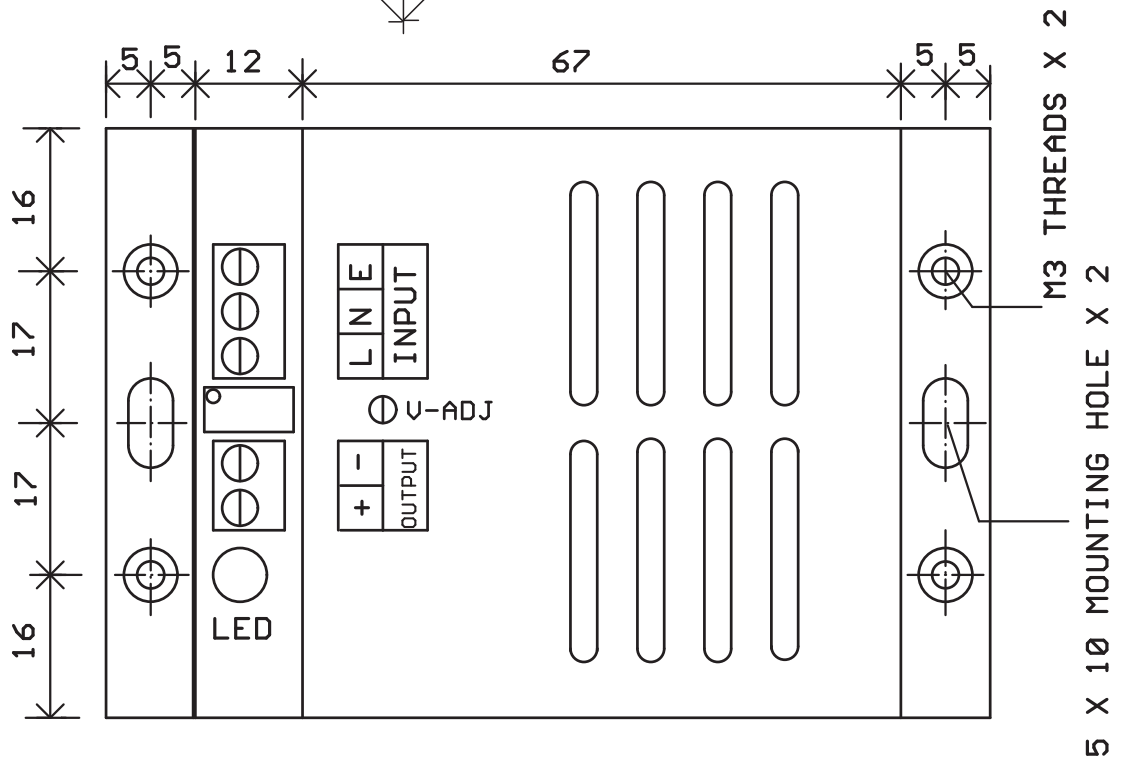
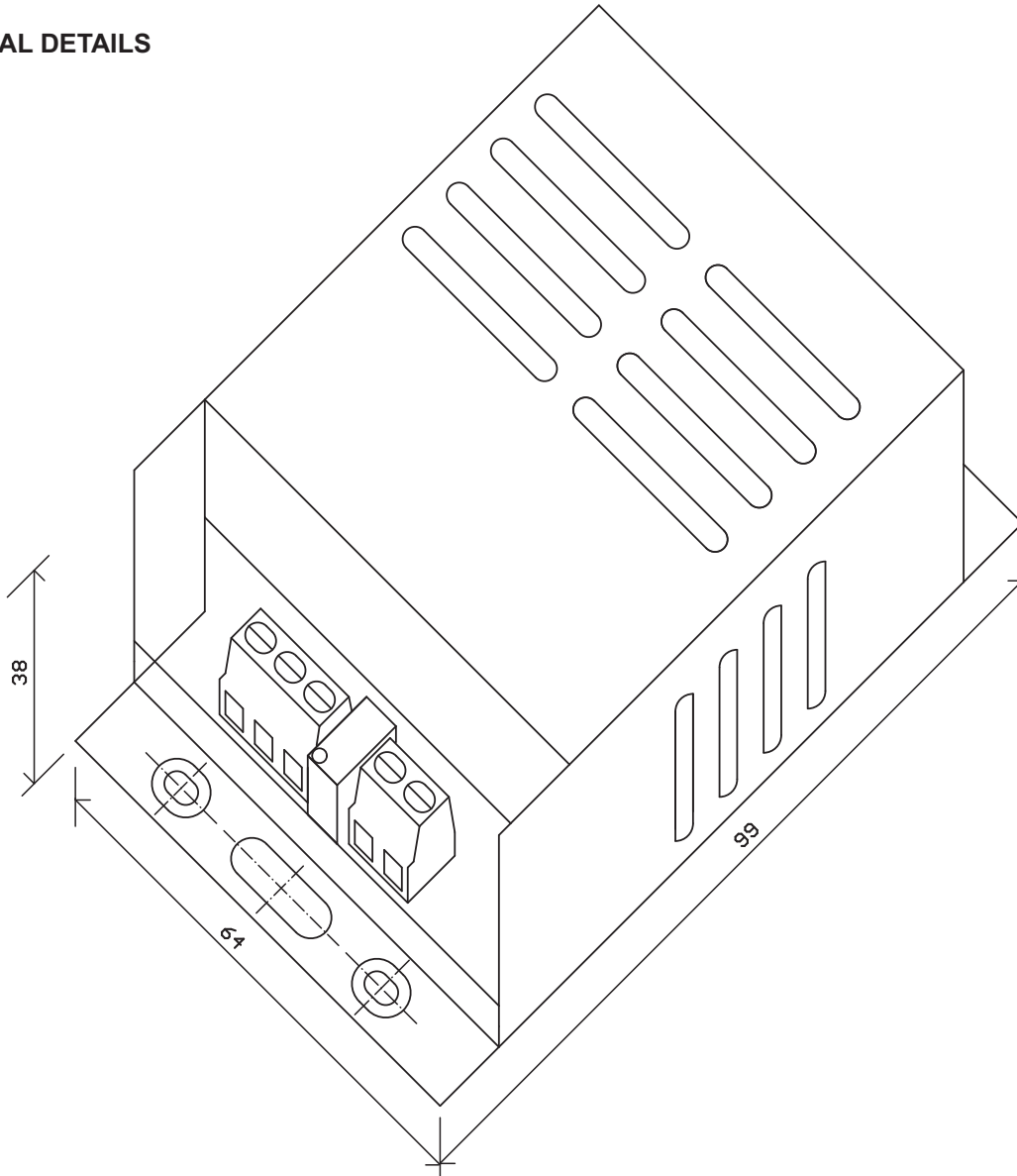
MODEL		S18-5	S18-12	S18-24	S18-48
Output	DC Voltage	5V	12V	24V	48V
	Rated Current	3A	1.5A	0.75A	0.375A
	Current Range	0 ~ 3A	0 ~ 1.5A	0 ~ 0.75A	0 ~ 0.375A
	Rated Power	18W	18W	18W	18W
	Ripple and Noise Max.	< 100mV Pk-Pk	< 1% Of Rated Voltage.		
	Voltage Adj. Range	4.5 ~ 5.5V	10.8 ~ 13.2V	21.6 ~ 26.4V	43.2 ~ 52.8V
	Voltage Tolerance	< 1% Of Rated Voltage.			
	Line Regulation	< +/- 0.5 %			
	Load Regulation	< +/- 1 %			
	Hold up Time	> 20mSec			
Input	Voltage Range	90 VAC - 300 VAC			
	Frequency	45Hz - 65Hz			
	Efficiency	>80%			
	Inrush Current	<30A At 230VAC			
	Leakage Current	<1mA At 230VAC			
Protection	Over Load	Above 105% Rated output Power Protection Type: Hiccup Mode, Recovers automatically after fault condition is removed.			
	Over Voltage	5.75 ~ 7.75V	15.0 ~ 17.0V	27.0 ~ 29.0V	54.0 ~ 56.0V
	Over Temperature	>140 DegC Case Temp typically detect on main control IC (U1).			
		Protection Type : Shutdown , recovers automatically after fault condition is removed.			
Environment	Working Temp.	-5DegC to 55DegC.			
	Working Humidity	20 to 90%RH Non Condensing.			
	Storage Temp Humidity	-10 to 85DegC 10 to 95% RH.			
	Vibration	10 to 500Hz,2G,20min/sweep,peroid-1Hr,Each along X,Y,Z axes.			
Safety & EMC	Safety Standard	Designed to meet UL60950-1			
	Withstand Voltage	I/P-O/P : 2KVAC , I/P-Earth : 1.5KVAC , O/P-Earth : 500VDC.			
	Isolation Resistance	I/P-O/P , I/P-Earth , O/P-Earth : 100M Ohms / 500VDC.			
	EMI & EMC	Designed to meet EN55011			
Other	Enclosure Protection	IP-20			
	Cooling	Natural Cooling.			
	Dimension	99*64*38 (L*W*H)			
Note	<p>1. All parameters NOT specially mentioned are measured at 230VAC input, rated load and 25Deg.C. ambient temperature.</p> <p>2. Ripple & noise are measured at 20MHz of bandwidth by using a 12" twisted pair-wire terminated with a 0.1uF & 47uF parrallel capacitor.</p> <p>3. Tolerance : includes set up tolerance , line regulation and load regulation.</p> <p>4. The power supply is considered a component which will be installed into a final equipment. The final equipment must be re-conformed that it still meets EMC diretives.</p>				

Nuteck Products, 115 / 5 , Ramtekdi Industrial Area, Hadapsar, Pune - 411 013.

Tel: +91 20 26811161/62, F: +91 20 26811163 Email : info@nuteckproducts.com

Web : www.nuteckproducts.com www.batterychargerindia.com

DIMENSIONAL DETAILS



Nuteck products, 115/5, Ramtekdi industrial Area, Hadapsar, Pune-411 013
 Tel: +91 20 26811161/62, F: +91 20 26811163 Email: info@nuteckproducts.com
 Web: www.nuteckproducts.com www.batterychargerindia.com