

● Features:

- Universal AC Input Supply Range
- Class II Power (without earth pin)
- Protections: Short Circuit/Over load/Over Temperature
- LED indicator for power on
- High efficiency, long life and high reliability
- 100% Full Load Burn in test.
- Fully enclosed plastic case

SPECIFICATION

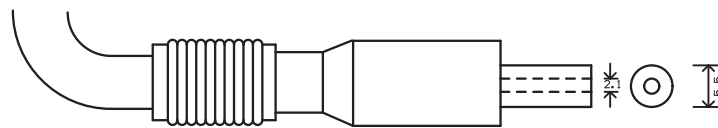
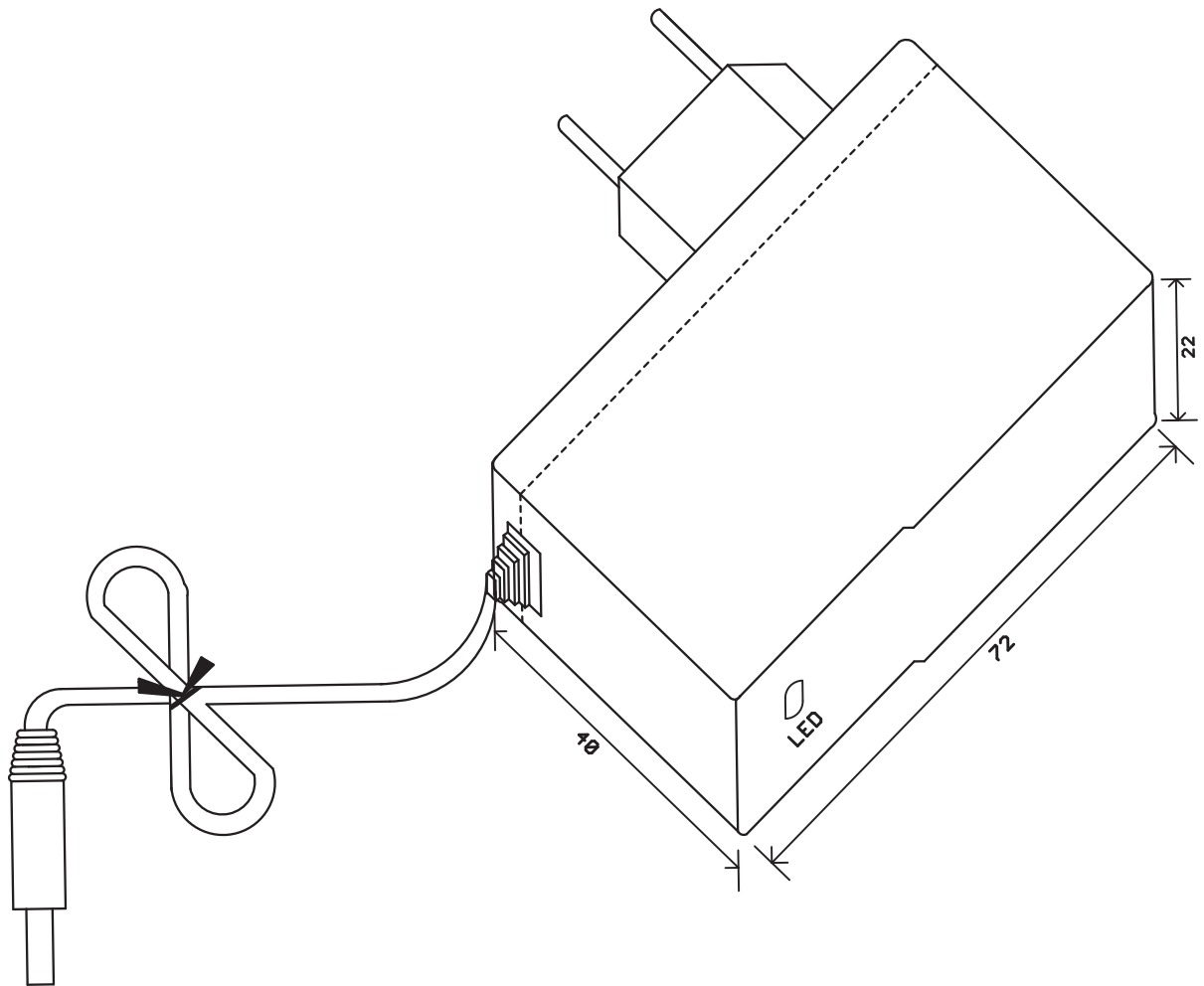
MODEL		A6-5	A6-7.5	A6-12	A6-18	A6-24	A6-48
Output	DC Voltage	5V	7.5V	12V	18V	24V	48V
	Rated Current	1.2A	0.8A	0.5A	0.33A	0.25A	0.125A
	Current Range	0 ~ 1.2A	0 ~ 0.8A	0 ~ 0.5A	0 ~ 0.33A	0 ~ 0.25A	0 ~ 0.125A
	Rated Power	6W	6W	6W	6W	6W	6W
	Ripple and Noise Max.	50mVp-p	100mVp-p	100mVp-p	100mVp-p	200mVp-p	200mVp-p
	Voltage Tolerance	+/-5.0%	+/-5.0%	+/-3.0%	+/-3.0%	+/-3.0%	+/-2%
	Line Regulation	+/-1.0%	+/-1.0%	+/-1.0%	+/-1.0%	+/-1.0%	+/-1.0%
	Load Regulation	+/-5.0%	+/-5.0%	+/-3.0%	+/-3.0%	+/-3.0%	+/-2%
Hold up Time	> 20mSec						
Input	Voltage Range	90 VAC - 300 VAC					
	Frequency	45Hz - 65Hz					
	Efficiency	>75%	>80%				
	Inrush Current	<30A At 230VAC					
Protection	Over Load	Above 110% Rated output Power Protection Type: Hiccup mode, Recovers automatically after fault condition is removed.					
	Over Temperature	>140 DegC Case Temp typically detect on main control IC (U1). Protection Type : Shutdown , recovers automatically after fault condition is removed.					
Environment	Working Temp.	-5DegC to 55DegC.					
	Working Humidity	20 to 90%RH Non Condensing.					
	Storage Temp Humidity	-10 to 85DegC 10 to 95% RH.					
	Vibration	10 to 500Hz,2G,20min/sweep,peroid-1Hr,Each along X,Y,Z axes.					
Safety & EMC	Safety Standard	Designed to meet UL60950-1					
	Withstand Voltage	I/P-O/P : 2KVAC , I/P-Earth : 1.5KVAC , O/P-Earth : 500VDC.					
	Isolation Resistance	I/P-O/P , I/P-Earth , O/P-Earth : 100M Ohms / 500VDC.					
	EMI & EMC	Designed to meet EN55011					
Others	Cooling	Natural Cooling.					
	Dimension	72*40*22 (L*B*H)					
Connector	Plug	Standard type P1J 2.1*5.5*11 Center positive for stock, Other type available by customer requested.					
	Cable	Standard type 24Awg or 0.25 Sq.mm 1200MM for Stock,Other type available by customer requested.					
Note	1. All parameters NOT specially mentioned are measured at 230VAC input, rated load and 25Deg.C. ambient temperature.						
	2. Ripple & noise are measured at 20MHz of bandwidth by using a 12" twisted pair-wire terminated with a 0.1uF & 47uF parrallel capacitor.						
	3. Tolerance : includes set up tolerance , line regulation and load regulation.						
	4. Output DC Voltage is measured at Plug Terminal						

Nuteck Products, 115 / 5 , Ramtekdi Industrial Area, Hadapsar, Pune - 411 013.

Tel: +91 20 26811161/62, F: +91 20 26811163 Email : info@nuteckproducts.com

Web : www.nuteckproducts.com www.batterychargerindia.com

DIMENSIONAL DETAILS



ID = 2.1 MM
OD = 5.5 MM